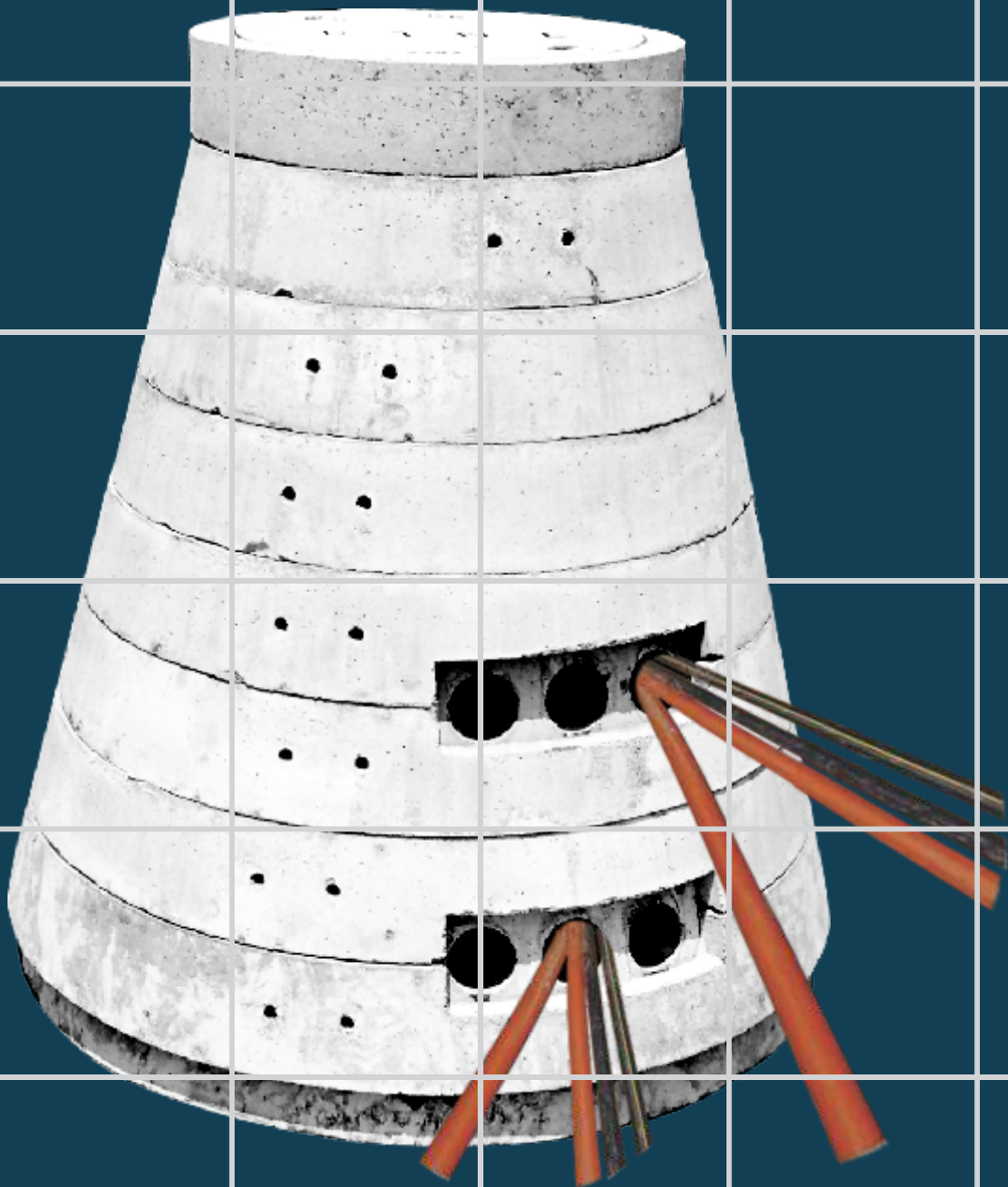




*“Home of Innovative & Quality
Solutions for Construction
since 1984”*

TELECOM SOLUTIONS





CONCRETE CONICAL MANHOLES OVERVIEW

Traditionally in India, manholes for providing access to telecommunication and sewer lines have been made from bricks. However, brick manholes are time consuming to build and are not structurally strong. Recognizing these problems, KK developed and introduced the conical manhole assembly system. The conical manhole assembly system has now being overwhelmingly accepted by the telecom majors and is the predominant system used to provide access to underground telecom cables.

The conical manhole assembly system consists

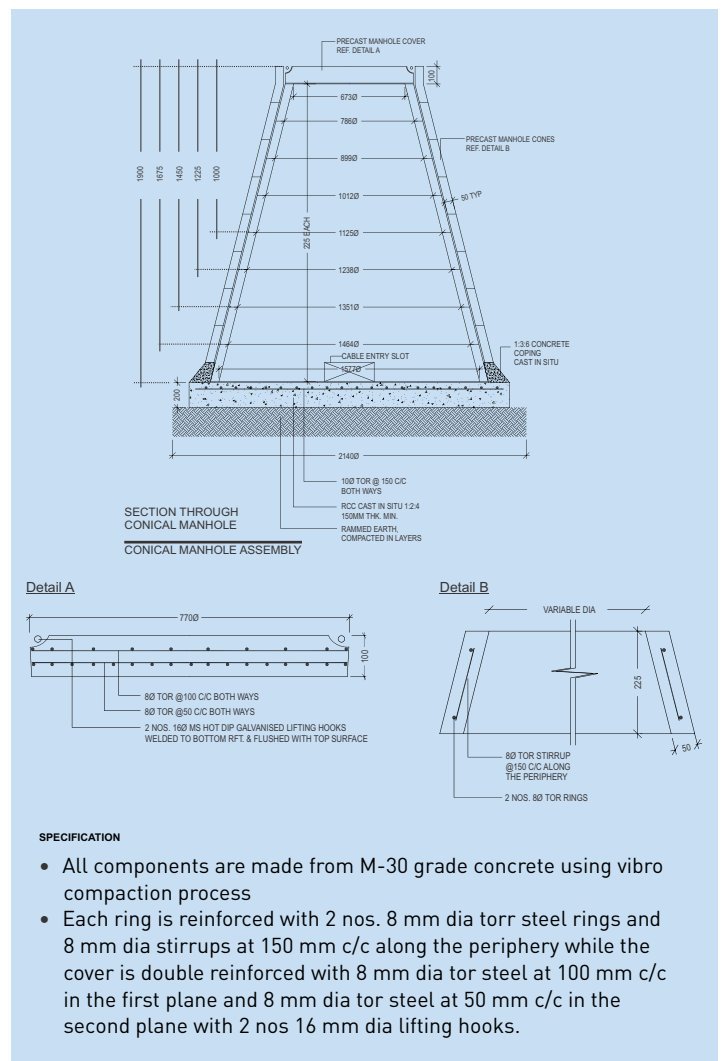
of conical rings (each of height 225 mm) made from precast reinforced concrete that can be stacked one on top of the other to construct a conical shaped manhole. In addition, a precast concrete frame and cover are also provided at the top.

This system allows the flexibility to customize the height of the manhole to suit the application. Based on the number of rings used, the height of the manhole can vary from 0.5 meters (3 rings) to 1.9 meters (15 rings). In telecom applications, conical manholes of height of 0.5 meter, 1 meter, 1.225 meter, and 1.45 meters are primarily used

INSTALLATION GUIDELINES

Due to its modular construction, the installation of conical manhole can be easily done in 5 to 8 hrs using 4 workers in the following manner:

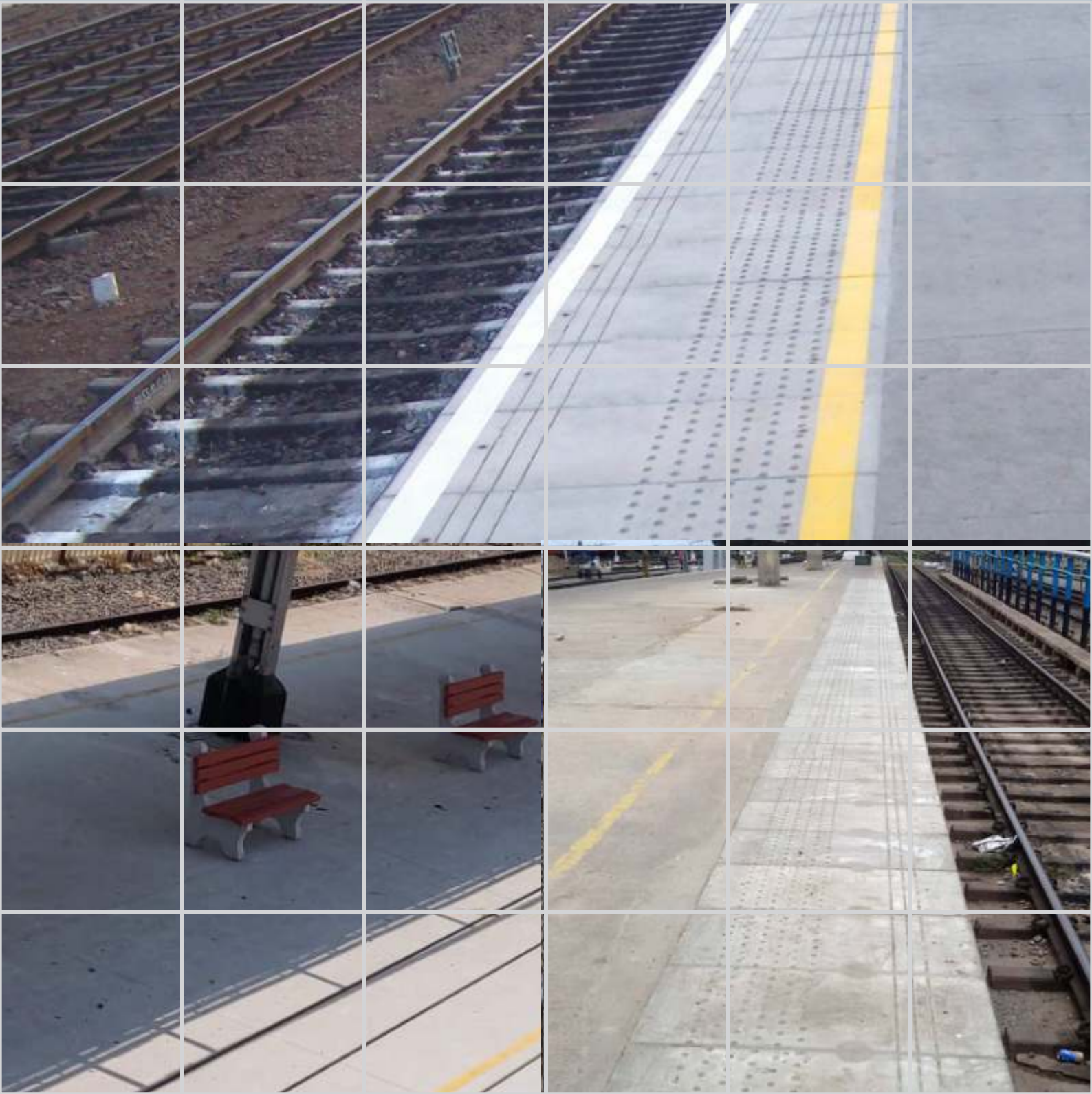
- At first a pit dug in the desired location. The size of the pit depends on the size of the manhole.
- The bottom surface of the pit is leveled and compacted and PCC is cast-in-situ at the bottom to form the base of the manhole
- The conical manhole is assembled on top of the RCC. Each ring is lifted using the holes provided and lowered into the pit.
- The joints between the rings are sealed with mortar to prevent seepage of water
- Telecom or Power cables are introduced into the manhole through the holes provided. Subsequently, the hole are sealed with mortar.
- Finally, the area around the conical manhole, is refilled with earth to bring the level to ground level





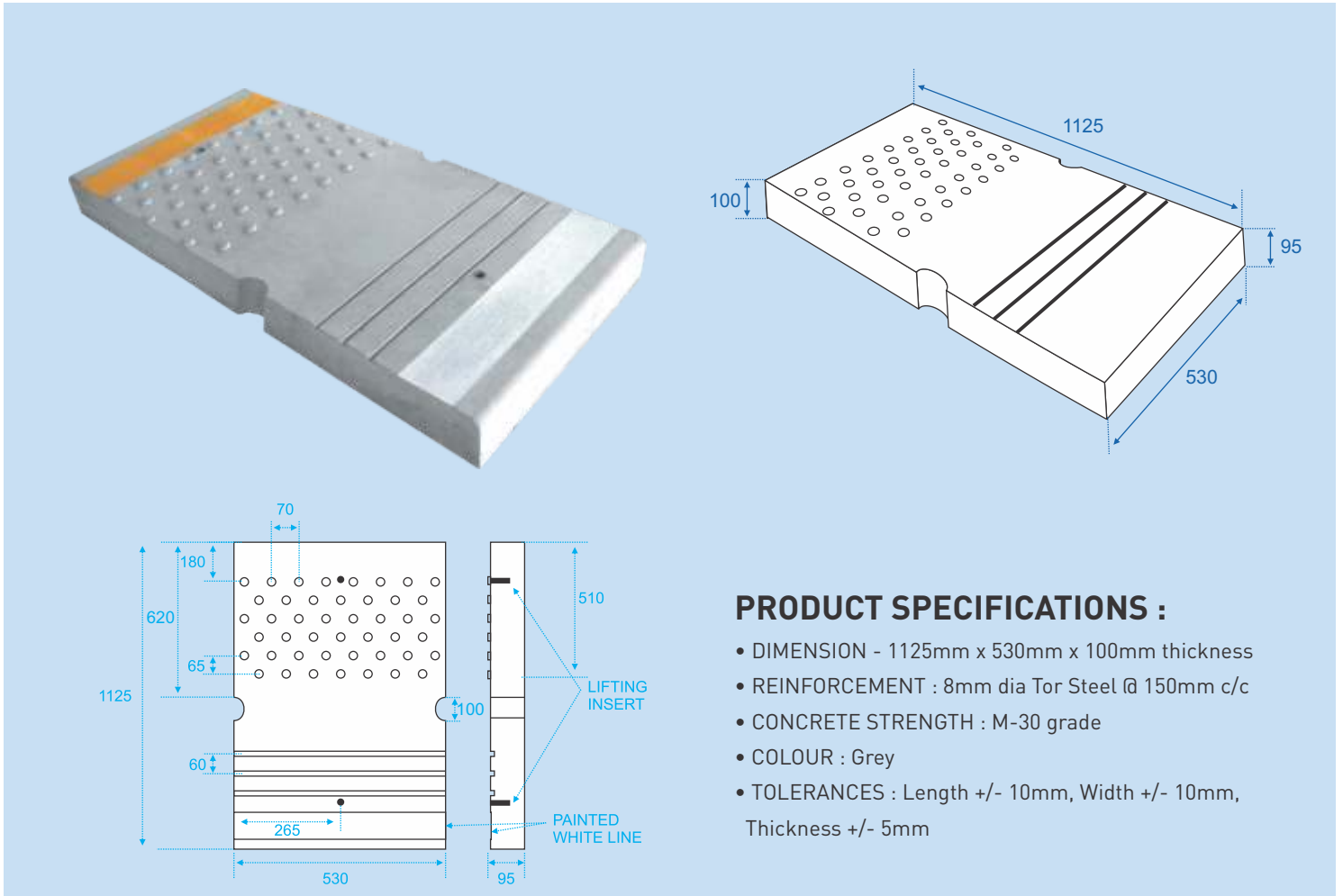
*“Home of Innovative & Quality
Solutions for Construction
since 1984”*

RAIL SOLUTIONS





PLATFORM COPING



COMPLIMENTARY PRODUCTS

Other complimentary products include tactile paving, chair bench, cable troughs, boundary walls, and bollards which can be found in other sections of this brochure.



BOUNDARY WALL



CHAIR BENCH

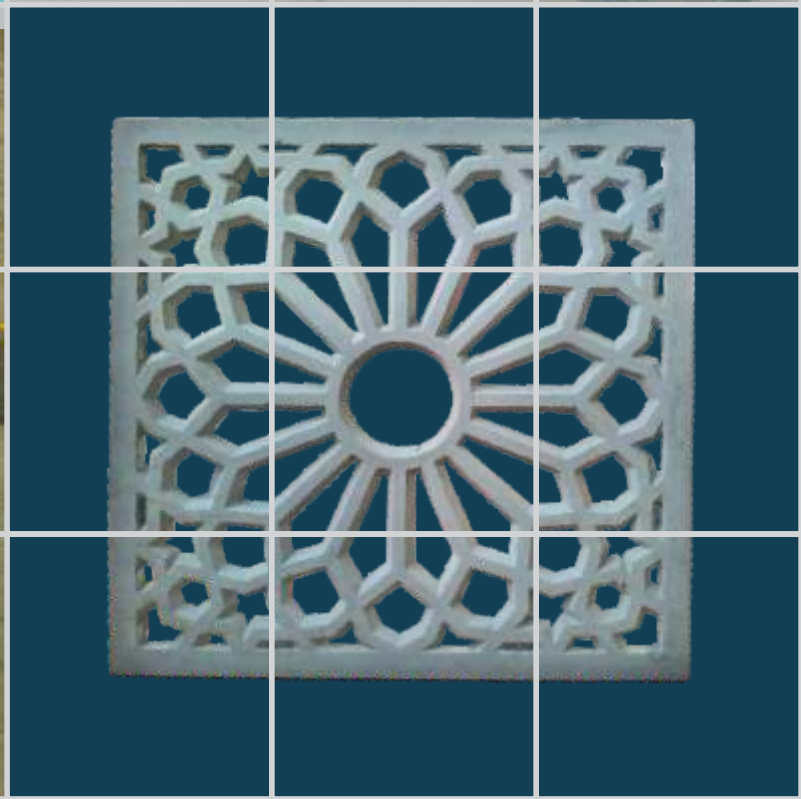


TACTILE



*“Home of Innovative & Quality
Solutions for Construction
since 1984”*

SPECIALIST

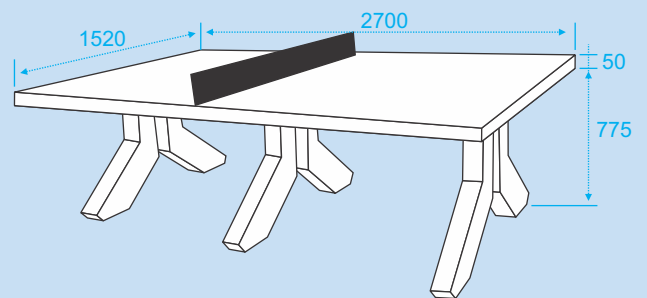




PLANTERS



TT TABLE



SPEED BREAKER

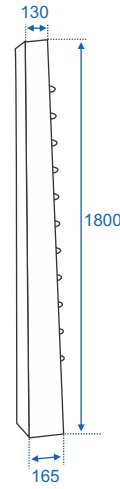


TECHNICAL INFO

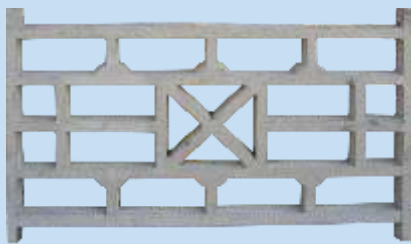
- Dimension : Length : 450mm, Width : 400mm, Height : 75mm
- Material : Polymer Concrete
- Installation : Fixed by driving two 12 mm rods through provided holes and sealing with resin



BARBED WIRE POST

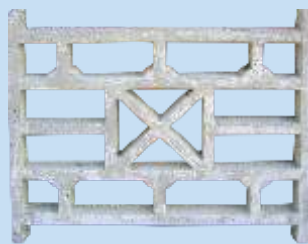


JALIS



Design 1

Length x Height x Thickness
1600 x 760 x 60



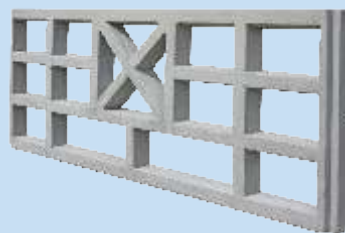
Design 2

Length x Height x Thickness
900 x 760 x 60



Design 3

Length x Height x Thickness
675 x 475 x 40/60



Design 4

Length x Height x Thickness
1500 x 600 x 65



Design 5

Length x Height x Thickness
1000 x 1000 x 50

Office Locations

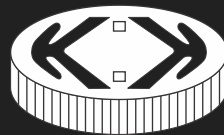
KK Manhole & Gratings Co. Pvt. Ltd.

Head Office : 12/16, Sarvapriya Vihar,
New Delhi -110016, India
Tel.: +91-11-26969550, +91-9910012478,
Fax:+91-11-26864895
Works : Ballabgarh Haryana, (INDIA)

KK Precast Concrete Pvt. Ltd.

4/37 Club Road
Chetpet, Chennai - 600031, India
Tel.: +044-28361118, +91-9840155761
Fax:+044-28361417
Works : Kelambakkam & Ponneri, Tamilnadu (INDIA)
Email: precast@kkindia.com

KONKRETE TM



KK MANHOLE & GRATINGS CO. PVT. LTD.

*"Home of Innovative and quality solutions
for construction since 1984"*

email : info@kkindia.com, Website : www.kkindia.com