



*“Home of Innovative & Quality
Solutions for Construction
since 1984”*

DUSTBIN



Design Patent
Applied No. 281898



OVERVIEW

Our Innovative dustbin consist of a FRP (fiber reinforced plastic) bin supported on a RCC (reinforced cement concrete) base. The FRP bin is cylindrical in shape with a semi – spherical bottom. The shape of the bottom of the bin renders the bin non – self supporting, ie. without the RCC base the FRP bin will tip over. The RCC base is designed to hold the bin in a vertical position and to prevent it from flying away due to wind and other external forces. The overall design is such that the FRP bin can be easily detached and lifted off the RCC base for the purpose of emptying the garbage.



TECHNICAL INFORMATION

- Size : **Height : 750mm ; Top Diameter : 420mm**
- Volume : **60 lt.**
- Material ; Bin – **FRP** ; Base – **RCC.**
- Bin is provided with a 50mm dia hole at the bottom for drainage.



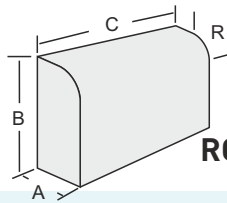
*“Home of Innovative & Quality
Solutions for Construction
since 1984”*

KERB STONE

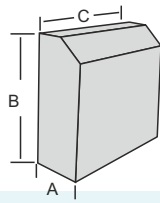




KERB STONE



ROUNDED



TAPERED

**MINIMUM
M -30
Grade
Concrete**

TAPERED KERB STONE

Product Code	A(mm) THICKNESS	B(mm) HEIGHT	C(mm) LENGTH
KS - 01	50/100	250	300
KS - 01A	50/100	250	900
KS - 02	75/125	300	500
KS - 03	75/125	300	250
KS - 04	130/150	315	500
KS - 05	100/150	300	300
KS - 05A	100/150	300	900
KS - 06	115/200	375	400
KS - 07	135/150	250	900
KS - 08	135/150	250	300
KS - 08A	90/125	300	600
KS - 18	50/100	250	600
KS - 19	50/100	300	600
KS - 19A	100/150	375	600
KS - 19B (Pimple)	90/125	300	600
KS - 21	100/150	250	600
KS - 22	100/150	250	300
KS - 23	100/150	250	150
KS - 24	60/75	200	900
KS - 25	135/150	200	900

ROUNDED KERB STONE

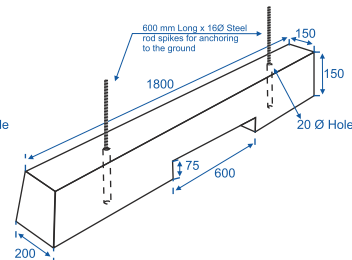
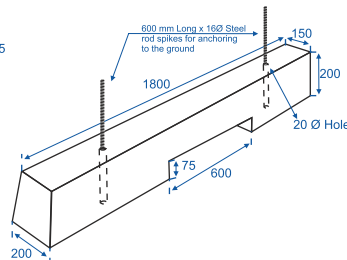
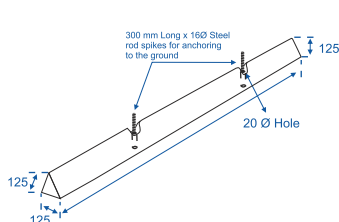
Product Code	A(mm) THICKNESS	B(mm) HEIGHT	C(mm) LENGTH
KS - 09	150(R75)	300	300
KS - 09A	150(R75)	300	900
KS - 10	100(R50)	250	500
KS - 11	100(R50)	300	450
KS - 12	75(R37)	225	450
KS - 13	75(R37)	350	300
KS - 14 (Straight)	150(R75)	450	300
KS - 14 (Taper)	150(R75)	450	300
KS - 20	150(R25)	150	600
KS - 25 (with pocket)	150(R25)	300	600

GARDEN KERB

Product Code	A(mm) THICKNESS	B(mm) HEIGHT	C(mm) LENGTH
KS - 17	50	225	500

LONG KERB

Product Code	A(mm) THICKNESS	B(mm) HEIGHT	C(mm) LENGTH
KS - 27	125	100	2000
KS - 28	150/200	200	1800
KS - 29	150/200	150	1800





*"Home of Innovative & Quality
Solutions for Construction
since 1984"*

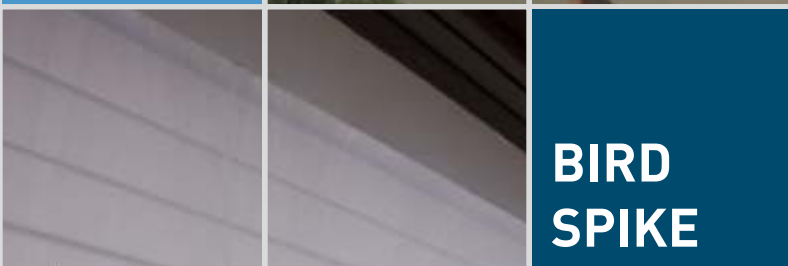
BUILDING SOLUTIONS



BALLUSTER



LINTEL



**BIRD
SPIKE**



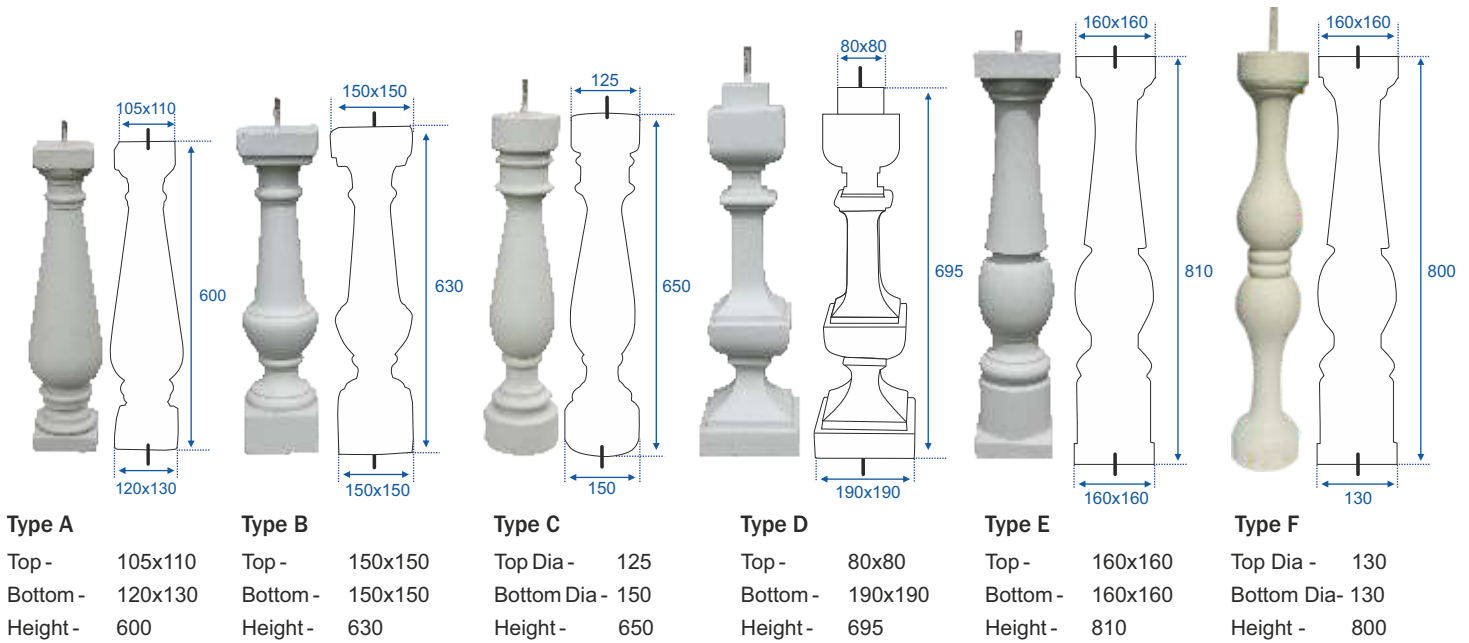
LETTERBOX





BALLUSTER

A key architectural feature on many apartments and buildings, ballusters add to the character of the building.



Ballusters can also be provide with optional top and bottom rails.



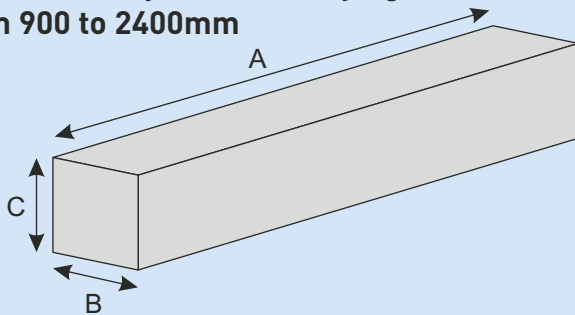


LINTEL BEAMS

We provide lintel beams for doors and windows of varying sizes. These lintel beams have been properly load tested for the span.

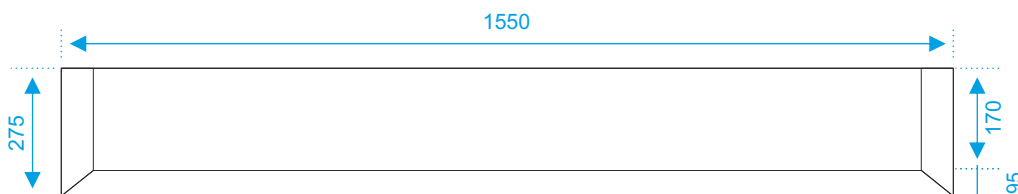
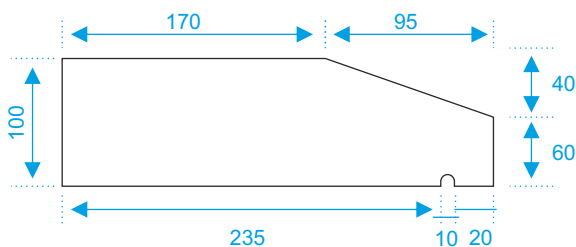


As per site requirement varying from 900 to 2400mm



Product Code	A	B	C
LINT - A	1200	112.5/100	150
LINT - B	1400	112.5/100	150
LINT - C	1600	112.5/100	150
LINT - D	1800	112.5/100	150
LINT - E	2000	112.5/100	150
LINT - F	2400	112.5/100	150

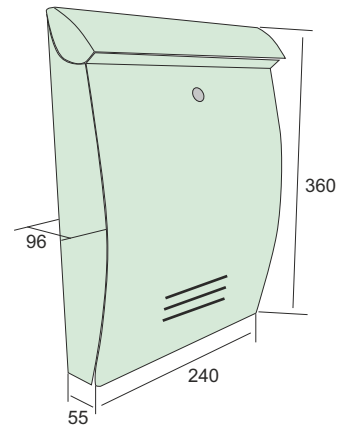
WINDOW SILL



Use of standardized lintel beams and window sills accelerates the construction process thus reducing project cost.



LETTER BOX



Letter Box Dimensions

OVERVIEW

KK letter box is a unique, attractively designed, and a lockable letter box which will make receiving mail pleasant and hassle-free. The letter box comes with a top flap which will protect the mail from rain & dust. Moreover, the mail can be easily retrieved by opening the front flap.

TECHNICAL INFORMATION

- Made from virgin poly propylene plastic using injection moulding
- Provided with a lock
- Installation hardware is included
- Size : Height - 360 mm; Width - 240mm; Bottom Thickness - 55mm; Middle Thickness - 96mm



**INDIA'S LARGEST
SELLING LETTER BOX
WITH MORE THAN
17000 LETTER BOXES
SOLD**



BIRD SPIKE

PRODUCT OPTIONS

Polycarbonate Bird Spike



Stainless Steel Bird Spike

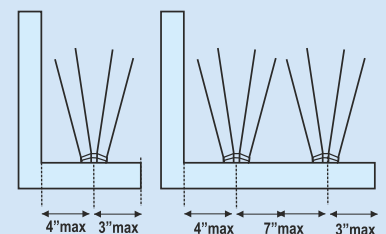


TECHNICAL INFORMATION

- | | |
|---|--|
| <ul style="list-style-type: none">· Overall dimensions : 13" long, 6" wide, 5" high & covers upto 7" surface width.· Material : Polycarbonate· Each spike consists of 20 flat tipped points.· Provided with 1" wide 3m double side tape for easy & lasting installation. | <ul style="list-style-type: none">· Overall dimensions : 13" long, 6" wide, 5" high & covers upto 7" surface width.· Material : SS - 304· Each spike consists of 20 flat tipped points.· Provided with 1" wide 3m double side tape for easy & lasting installation. |
|---|--|

INSTALLATION

1. Clean the surface on which the spikes have to be installed thoroughly. There should not be any loose material.
2. Mark the area where the spikes will be installed. Keep the gap between two adjacent rows to a maximum of 7 inches.
3. Peel off the (Plastic) backing sheet from the bottom of the spike and push down firmly over the area marked in step 2. Make sure that you overhang the first strip about 1/2 inch at the end of the surface.
4. Install the next strip flush with the first strip. Use the alignment notch at the end of the strips for proper alignment. Do not leave gaps between the strip. Use the quick part seam to make adjustments to the length
5. Allow the spikes undisturbed for about an hour for initial settlement.





BUILDING SOLUTIONS





*“Home of Innovative & Quality
Solutions for Construction
since 1984”*

BOUNDARY WALLS & FENCES



**BOUNDARY
WALL**



FENCE



BOUNDARY WALLS & FENCES

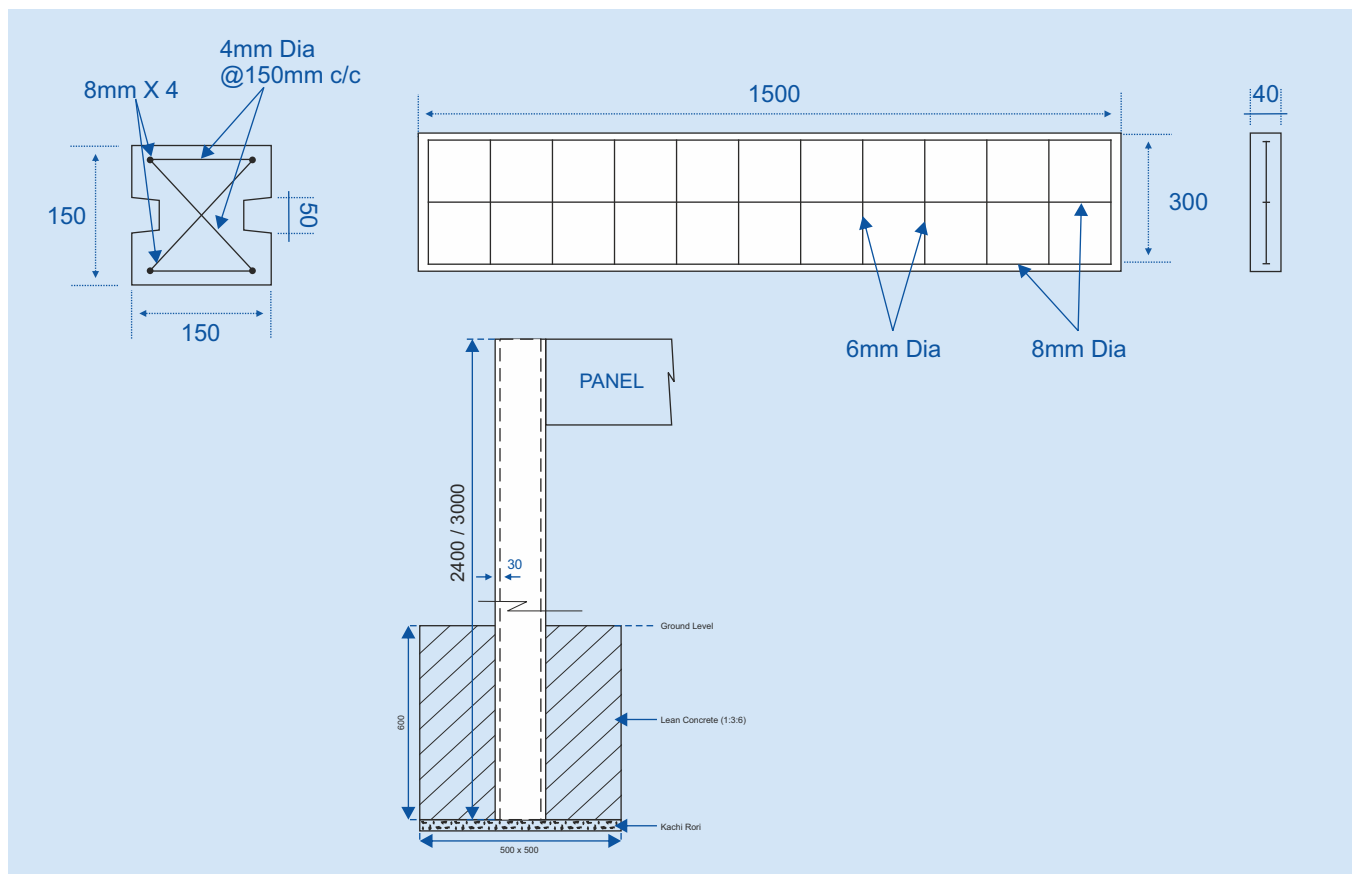
PRECAST BOUNDARY WALL

OVERVIEW

Our precast boundary wall system provides the look of a traditional brick masonry wall while at the same time providing cost effectiveness, durability, strength and ease of installation. Our products are designed to withstand harsh conditions and can be installed in fraction of the time.

TECHNICAL INFORMATION

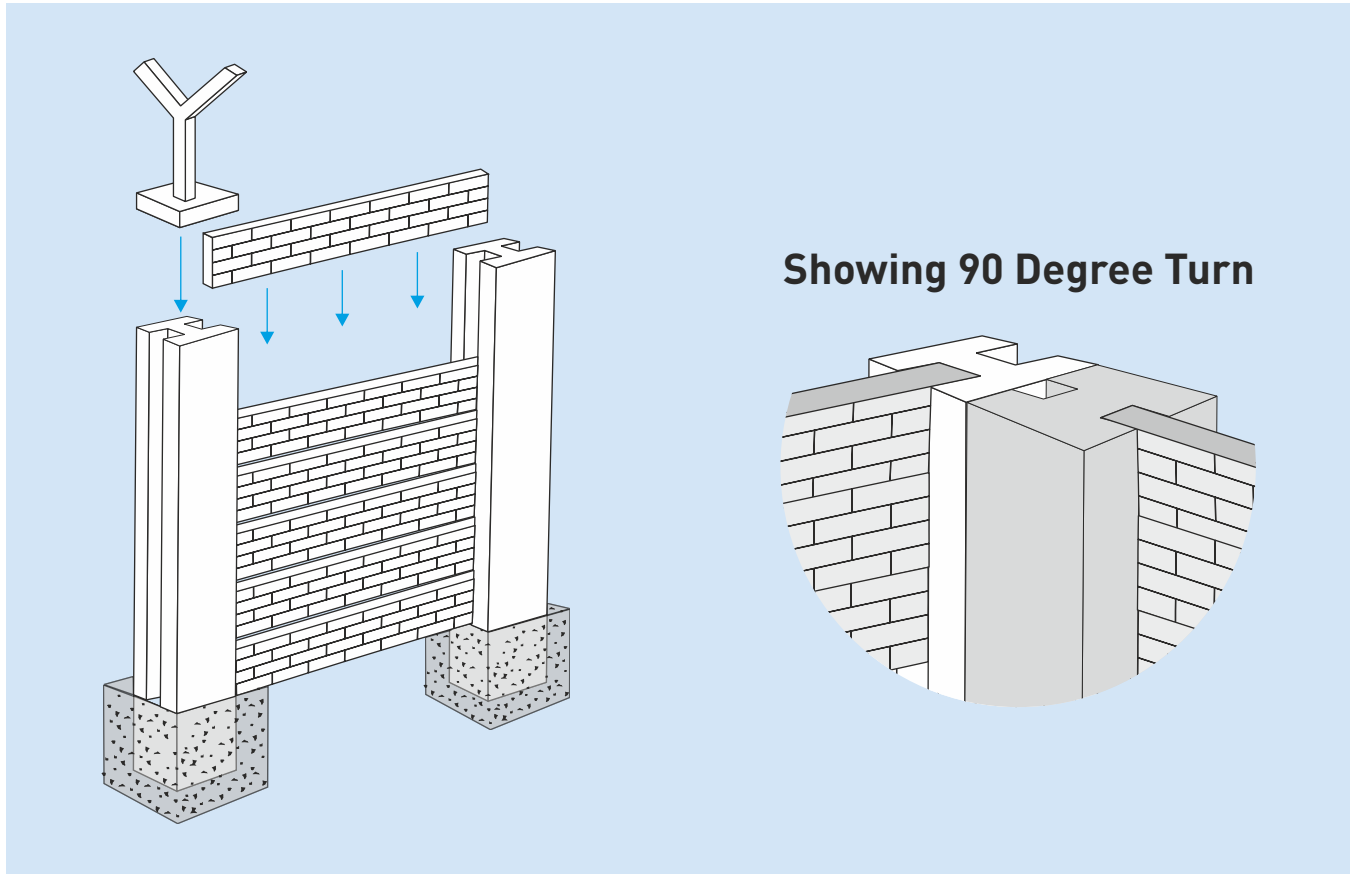
- Brick Texture on one or both sides with or without integral color.
- The post is embedded in ground up to a depth of 2 ft
- Posts are set 1.615 m to 1.665 m on center based on size of the post.
- Panels are stacked one on top of the other
- Concrete compressive strength of M-30 at 28 days.
- Steel reinforced posts & panels.
- Boundary walls can be built in height ranging from 6ft to 8ft above ground.
- Concertina coil can be optionally attached to the top of the post.





BOUNDARY WALLS & FENCES

PRECAST BOUNDARY WALL INSTALLATION



1. A pit is dug with a depth of 2ft and dia of minimum 300mm.
2. The bottom of the pit is leveled by using kachi rodi.
3. The post is inserted in the pit and the gap is filled with lean concrete. (1:3:6 mix design)
4. The panels are lowered horizontally into the grooves of two adjacent poles.
5. While installing poles it is important to ensure verticality, accurate center to center distance and that the posts are in the same vertical plane.



BOUNDARY WALLS & FENCES





BOUNDARY WALLS & FENCES



Post incorporates light fixture.

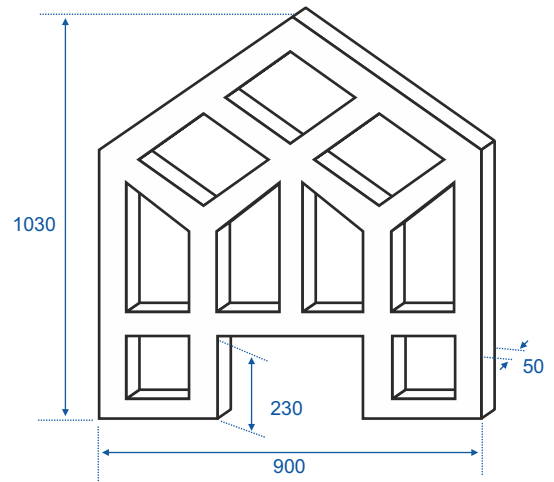




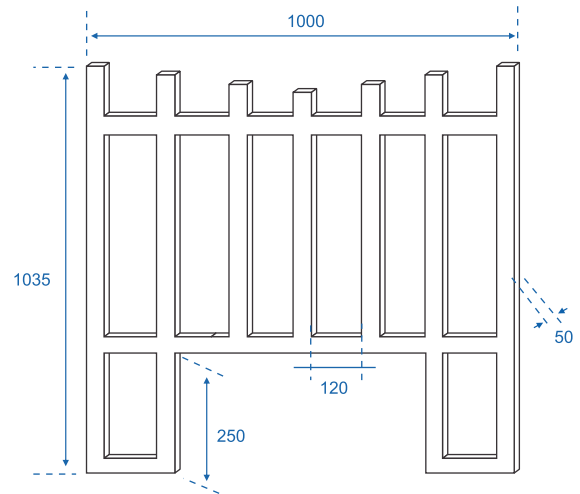
BOUNDARY WALLS & FENCES

FENCES

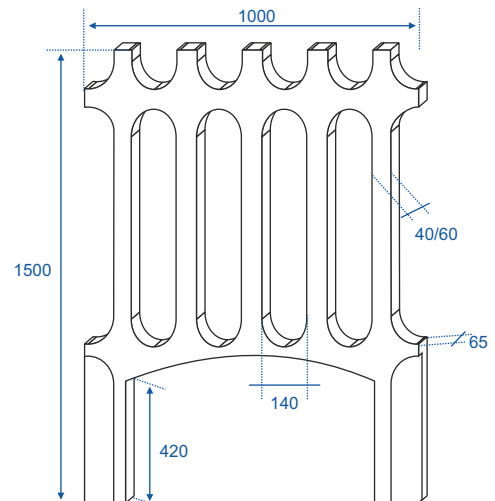
FENCE DIAMOND



FENCE "V" SHAPE NEW



FENCE MAJESTIC





*“Home of Innovative & Quality
Solutions for Construction
since 1984”*

TREE GUARD & TREE SURROUND



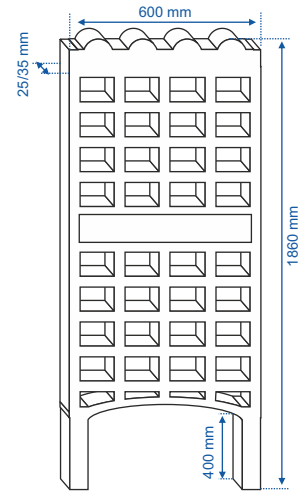
**TREE
GUARD**

**TREE
SURROUND**

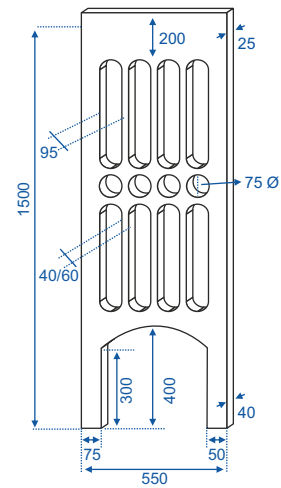


TREE GUARD & TREE SURROUND

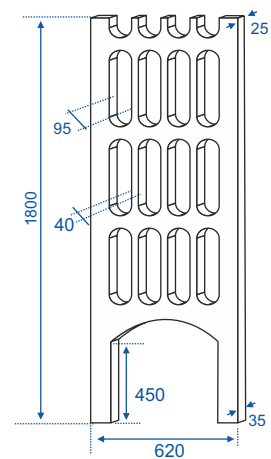
TG - 01



TG - 02



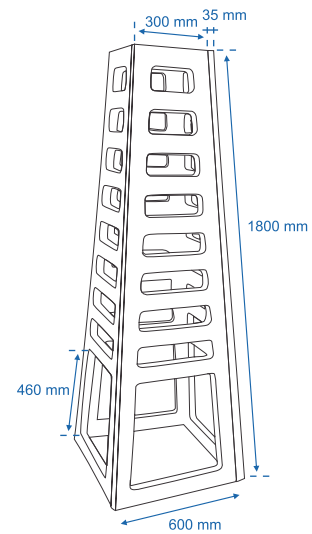
TG - 03





TREE GUARD & TREE SURROUND

TG - 04



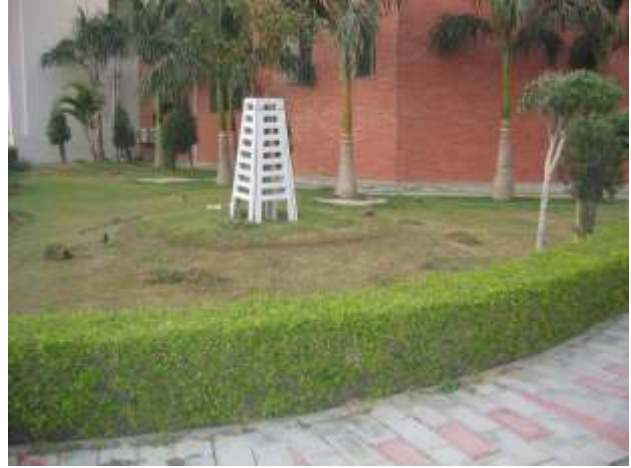
TREE SURROUND



Use of tree surround not only adds to the aesthetic appeal of the environment but also provides the necessary protection to both the young tree and its soil. A tree surround will also add to the space available for human traffic.



TREE GUARD & TREE SURROUND





*“Home of Innovative & Quality
Solutions for Construction
since 1984”*

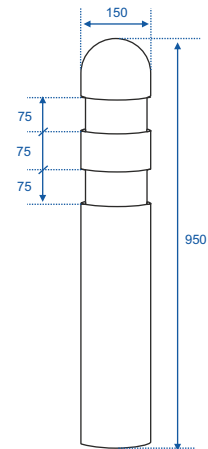
BOLLARDS



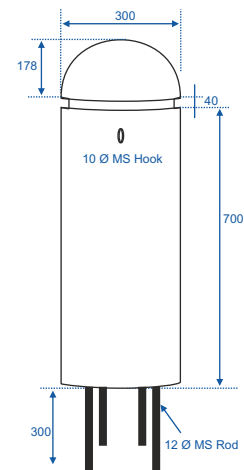


BOLLARDS

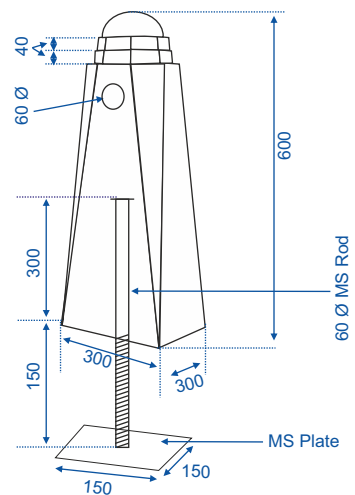
CYLINDRICAL BOLLARD TYPE 1



CYLINDRICAL BOLLARD TYPE 2



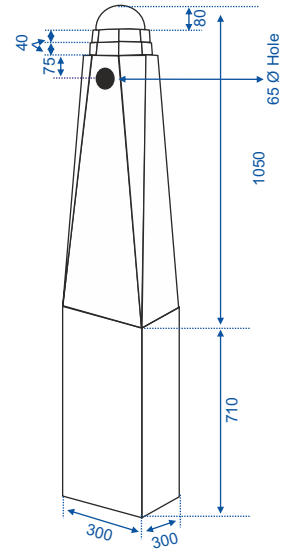
MINI INDIA GATE BOLLARD





BOLLARDS

INDIA GATE BOLLARD



SPHERICAL BOLLARD



**FINISH
OPTION**



RED



EXPOSED AGGREGATE



BOLLARDS





*“Home of Innovative & Quality
Solutions for Construction
since 1984”*

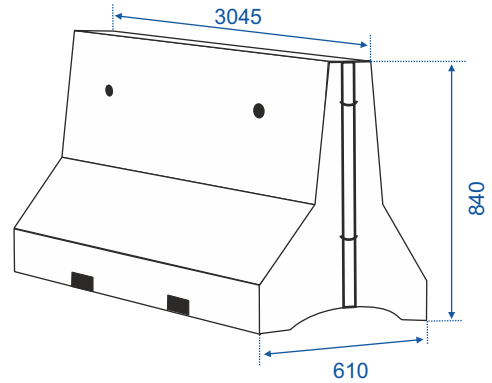
ROAD BARRIERS



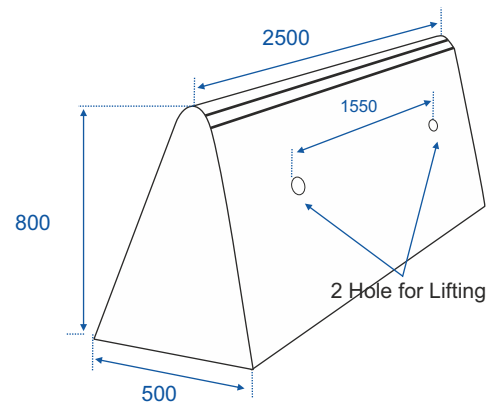


ROAD BARRIERS

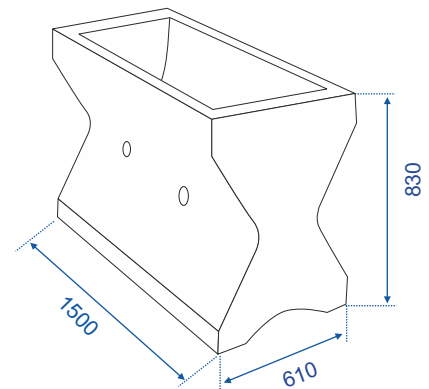
JERSEY BARRIER



CENTRAL BARRIER



JERSEY BARRIER CUM FLOWER POT





“Home of Innovative & Quality
Solutions for Construction
since 1984”

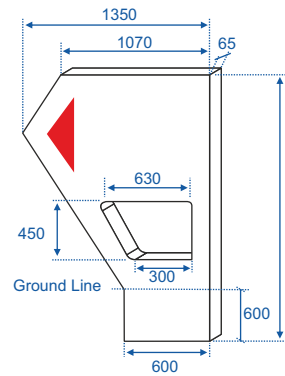
ROAD SIGNAGE



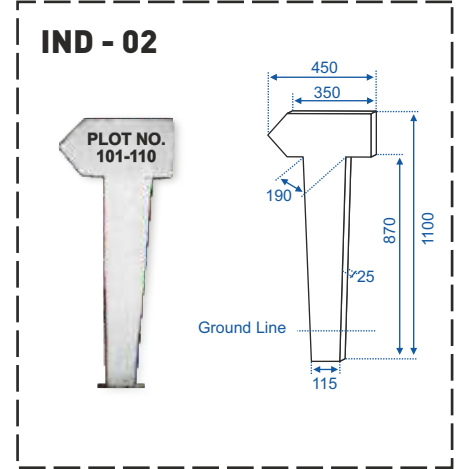


ROAD SIGNAGE

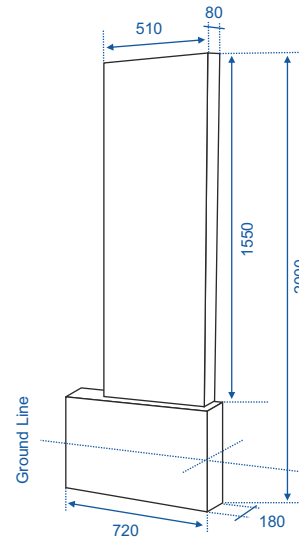
IND - 01



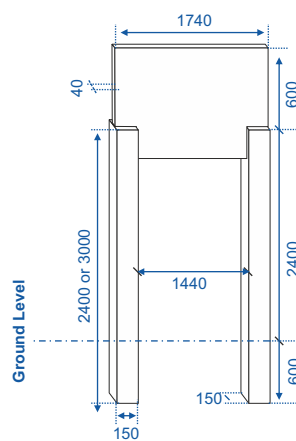
IND - 02



IND - 03



IND - 04



IND - 05

