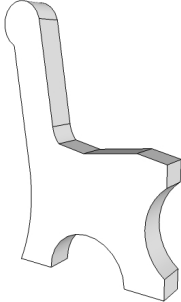

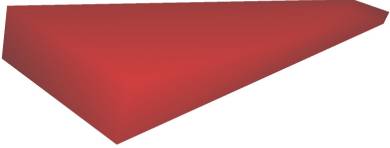
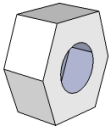
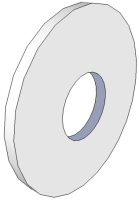







INSTALLATION INSTRUCTIONS  
FOR CHAIR BENCH

## Material Required

Component	Picture	Qty
Legs		2
Small Slabs (1500 mm Length X 100 mm width X 50 mm Thickness)		5
Big Slabs (1500 mm Length X 200 mm width X 50 mm Thickness)		1

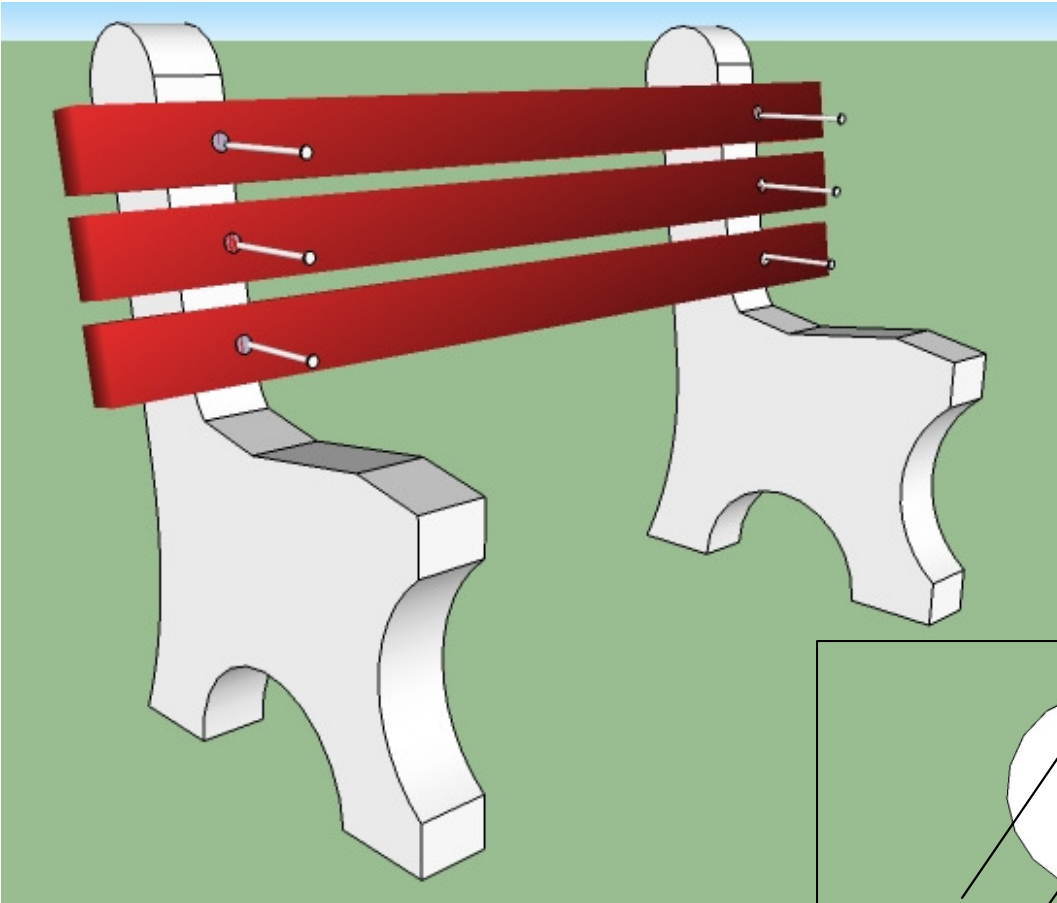
Component	Picture	Qty
Big Bolts (Carriage Bolts)		6
Small Bolts (LNCS Bolts)		6
Nuts		6
Big Nylon Washer		6
Small Nylon Washer		6
Small Steel Washer		6

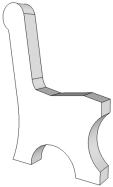


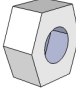


# Tools Required

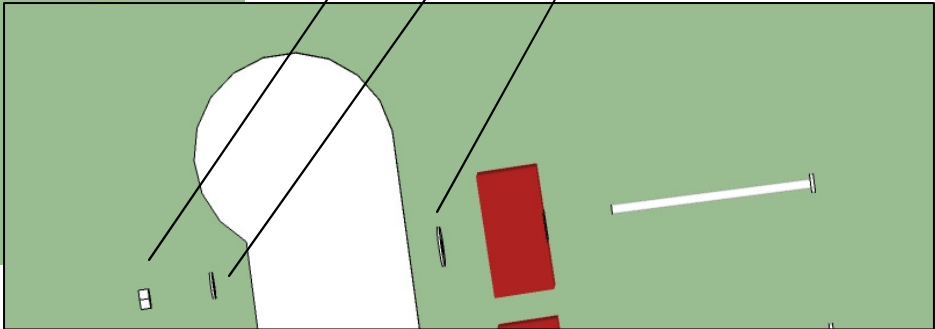
Tools	Picture	Qty
Allen Key (8 mm)		1
Goti Angle (15/16 No)		1

Step 1: Position the legs with finished surface on the outside, install three small slabs in the back, insert long bolts with washers and gently screw the nuts

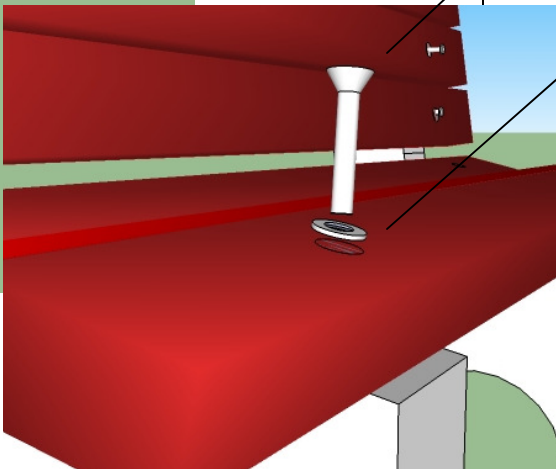
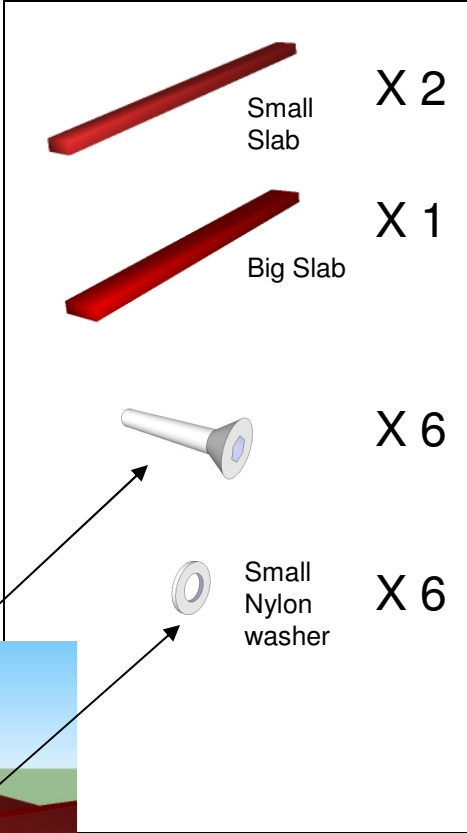
Do not tighten the bolts



-  X 2
-  X 3
-  X 6
-  X 6
-  Steel washer X 6
-  Big Nylon Washer X 6



Step 2: Install the slabs at the bottom with the big slab in the middle, insert the small bolts along with small nylon washers and gently tighten the bolts



THE END

For more information contact:  
Naveen Gupta - 9910012478